



USER MANUAL

MT 5500

Model 11677xx

GARRETT
METAL DETECTORS

USA

Garrett Metal Detectors
Security Division
1881 W. State Street
Garland, Texas 75042-6797 USA

Phone: 1.800.234.6151
Fax: 1.972.494.1881
Email: security@garrett.com
Website: garrett.com

International

Garrett Metal Detectors
International Security Division
1881 W. State Street
Garland, Texas 75042-6797 USA

Phone: 1.972.494.6151
Fax: 1.972.494.1881
Email: international@garrett.com
Website: garrett.com

MANUFACTURER CAUTION

Read Thoroughly Before Operating



CAUTION! Use of this equipment in a manner not specified by the manufacturer may result in damage to property or injury to persons.

Electrical:	100 – 240 V~ +10% – -15%
	1.0-.5A
	50/60 Hz
Installation Category:	II
Pollution Degree:	2
Maximum Relative Humidity:	95% non-condensing
Operating Temperature:	-4°F (-20°C) to +158°F (70°C)
Maximum Altitude:	3000 meters



CAUTION! To reduce the risk of injury to persons or property damage due to accidental knock down, the Stabilizer Base (PN 1603900, not included) must be installed.



Warning! Battery Safety: The optional Battery Backup Module and the CMA Interface module contain rechargeable batteries that may contain small amounts of harmful substances.

- Caution: Do not short circuit. Serious burns may result
- Caution: Do not dispose of batteries in a fire. They may explode
- Caution: Do not open or mutilate batteries. They may contain an electrolyte which is toxic and harmful to the skin and eyes.
- Caution: Replace batteries with the same type and number of batteries as originally installed in the equipment.



- Caution: Do not put the batteries in trash that is disposed of in landfills. When disposing of the battery, comply with local ordinances or regulations and your company's safety standards.
- Recycling centers and retailers with recycling programs may be found at www.rbrc.org.

SYMBOLS:



Alternating
current



Protective
conductor
terminal



CAUTION!
Risk of
electric
shock



CAUTION!
Refer to
accompanying
documentation



Recycle

Garrett Metal Detectors and garrett.com are trademarks and registered trademarks of Garrett Electronics, Inc. If further assistance is required, please contact the factory using the contact information on the front cover.

MEDICAL SAFETY

Garrett Metal Detectors makes every effort to ensure its products are safe for use. Extensive research by Garrett has produced no information which would indicate that its products have any adverse effects on medical implants, pregnancy, recording media or magnetic strips. Garrett makes every effort to cooperate with medical device manufacturers and to communicate with agencies such as the United States Food and Drug Administration and Health Canada as a means of assuring product safety. The electromagnetic fields produced by Garrett products are similar to those encountered in the daily environment and meet U.S. and International standards for electromagnetic emissions.

Garrett recognizes that certain medical devices may have additional requirements which may require special care. Any recommendations or directives issued by personal physicians or medical device manufacturers should be followed. If, for any reason, (e.g. doctors orders, etc.), a patron objects to being scanned with a metal detector, it is recommended that alternative procedures be used.

The following should be considered when developing a security checkpoint screening plan:

- **Traffic Flow** - Traffic flow should remain unobstructed as a means of minimizing the time a person remains within the archway of a walk-through metal detector.
- **Alternative Screening** - Alternative screening methods such as scanning with a hand held metal detector, hand searching or denial of access should be clearly defined in checkpoint screening procedures as approved alternatives to screening with the walk-through metal detector.
- **Personnel Training** - Security screening personnel should be instructed in the care of persons with special medical needs and use of alternative screening methods that meet the requirements of medical practitioners or medical device manufacturers.

TABLE OF CONTENTS

1.	GENERAL DESCRIPTION	6
2.	CONTROLS & MODULES	8
2.1	DISPLAY PANEL	8
2.2	TOUCHPADS	9
2.3	INTERNAL MODULES	10
3.	INSTALLATION INSTRUCTIONS	12
3.1	SITE SELECTION	12
3.2	ASSEMBLY	12
4.	SELF-DIAGNOSTIC TESTS	15
5.	INSTALLATION ADJUSTMENTS	17
6.	SUPERVISOR ADJUSTMENTS	19
7.	SUPERVISOR RESPONSIBILITIES	21
8.	TECHNICAL SPECIFICATIONS	23
9.	MAINTENANCE & REPAIR	26
9.1	PERIODIC MAINTENANCE	26
9.2	REPAIR	26
9.3	MODULE REPLACEMENT	26
9.4	REPLACEMENT PARTS	29
9.5	WARRANTY	30
10.	OPERATING INSTRUCTIONS	31
11.	ADDITIONAL INFORMATION	37
11.1	OPERATIONS WORKSHEET	37
11.2	PROGRAMS	38
11.3	MULTIPLE UNIT OPERATION	40
11.4	AC & DC CONTROL	41
11.5	REMOTE CONSOLES	42
11.6	BATTERY BACK-UP MODULE	43
11.7	STABILIZER BASE	44
11.8	ELECTRICAL WIRING	45

1. MT 5500 GENERAL DESCRIPTION

The Garrett MT 5500 Walk-Through Metal Detector features multi-dimensional, microprocessor-controlled circuitry and LCD presentation of all calibrating and operating information. It is capable of remote operation and monitoring, when required, and is designed to be easily portable. The unit can be operated on battery power alone through use of an optional battery pack, which further enhances its portability.

The detector is manufactured by Garrett Metal Detectors in Garland, Texas.

The MT 5500 uses microprocessors in both its detection and control circuitry. These integrated circuits contain the necessary elements of a small digital computer and are preprogrammed to provide discrimination capabilities that enable the MT 5500 to optimally detect weapons and other devices made of metal. At the same time, multi-dimensional detecting informs the operator whether a target being detected is on the left, right or center/balance of the detector. Multi-dimensional detecting increases throughput dramatically by minimizing false alarms and the “down-times” that results from them.

The microprocessors permit the MT 5500 to be considerably more sophisticated in its programming and provide greater flexibility in the selectivity of the metals it detects. The detector also features excellent sensitivity, stability and noise rejection. All electronics are built into an overhead panel of the unit to eliminate problems of logistics and reliability often associated with a cable-connected console.

The LCD display on the face of the detector's overhead panel, backlit for easy viewing, reports information concerning the unit's calibration and operation. This includes program data, sensitivity settings, operator settings and fault indication. Two bright LED bar graphs, easily visible from a distance, give an indication of the strength of the alarm and report whether its is on the left or right side of the unit or in the middle. The audible alarm has three distinct tones to reflect this positional detecting. Separate lights indicate ready and alarm conditions. All regulation and control functions are “self-prompting” with necessary commands shown automatically on the LCD. The unit also reports a traffic count on its LCD.

The system offers highly flexible capabilities with a continuously variable range of programs, including several that have been designed for specific purposes. Programs are regulated by state of the art touchpads and reported visually on the LCD. Improved security of the unit's detection settings comes from an advanced system of access codes. Two levels of codes eliminate the need for bothersome keys for locked doors or other protective devices, while the MT 5500 circuitry provides precise accuracy of calibration. Access Code #1 is used by supervisors for selecting programs and sensitivity with Access Code #2 designed for initial set up and overall control. All settings are encoded by touchpads and remembered in any resettable memory. Security of the unit's calibration settings is further protected by a non-resettable sequence code that allows supervisors to

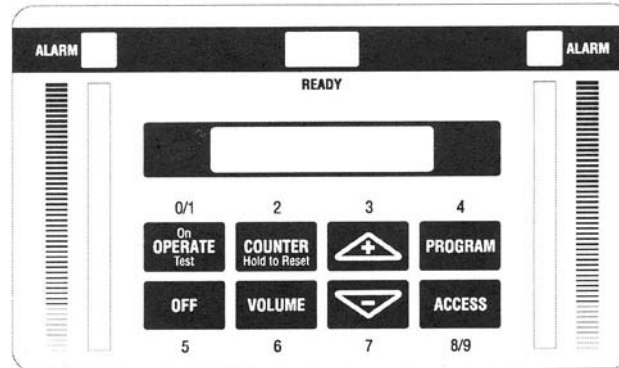
MT 5500 User Manual

keep a log of all changes that are ever made as well as any unsuccessful attempts to change them. In addition, a tamper indication reports any unauthorized or incorrect attempts at access.

A complete and automatic self-diagnostic program is carried out by the MT 5500 each time the Operate touch-pad is pressed. In addition, the detector utilizes self-testing circuitry that continuously monitors the critical functions of the detector, reporting automatically the failure of any element that would affect operation of the unit.

2.2 TOUCHPADS

Eight touchpads on the overhead Control Panel perform all control functions:



2.2.1 ON / OPERATE / TEST

Whenever this touchpad is pressed, the MT 5500 activates all circuits, initiates a self-diagnosis program and places the unit in the Operate Mode. This diagnostic program for instant fault detection can be activated at any time by touching the OPERATE touchpad. If any faults are ever found, they will be immediately reported on the LCD display. (See Section 4).

2.2.2 OFF

When this touchpad is pressed, the unit is turned OFF. All information and settings are stored in memory and the unit is ready to be returned to full operation instantly when the OPERATE touchpad is pressed.

2.2.3 COUNTER

When this touchpad is pressed, the traffic count is displayed on the LCD display. Pressing and holding this touchpad for ten (10) seconds causes the counter to return to zero (0). Whenever the LCD is displaying information other than the current traffic count, pressing this touchpad will cause the count to appear along with the Sequence Number of changes that have been made to Program/Sensitivity settings. CT (Number) and SEQ (Number) will appear. Each time the Program/Sensitivity Mode (ACCESS touchpad) is accessed, the Sequence Code that appears on the LCD will be advanced one number. It is recommended that a written notation be made on the Operations Worksheet (see Section 11.1) whenever this code is accessed, explaining reasons for the access. If the ACCESS touchpad has been pressed and an improper access code has been entered, a * will appear before the sequence number (SEQ *37). This indicates that an unsuccessful (unauthorized) attempt has been made to gain access to the Program/Sensitivity setting.

2.2.4 VOLUME

When this touchpad is pressed, the volume level of the unit's audible alarm will be shown on the LCD display and the actual volume of the alarm will be heard. The + and - touchpads can be used by operators to raise or lower the volume. Press **OPERATE** to return to the operate mode.

2.2.5 + AND -

These touchpads will be used to increase or decrease various numerical settings and for certain ON / OFF functions.

2.2.6 PROGRAM

When this touchpad is pressed, the settings for Program and Sensitivity will appear on the LCD display.

SPECIAL NOTE: The above touchpad functions will be available to operators of the detector at all times. Additional functions such as program and sensitivity settings and other adjustments necessary only at installation time may be selected by pressing the **ACCESS** touchpad and entering a security code.

2.2.7 ACCESS

The **ACCESS** touchpad will be used only by supervisory management personnel. It permits changing the Program and Sensitivity codes and also is used to control such functions as synchronization of multiple units, pulse frequency, tone, etc. (See Section 5.3). The unit further protects security of control settings by maintaining a non-resettable sequence code that indicates any attempt at seeking access to the settings. When this touchpad is pressed, audio of the system will “chirp” and ENTER CODE will be displayed on the LCD, prompting the operator to enter an access code. If no attempt is made to enter a code, the unit will continue chirping for ten (10) seconds and return to Operate Mode. If the operator enters an incorrect code, audio will sound a Tamper Alarm and ACCESS DENIED will appear on the LCD for five (5) seconds. An asterisk (*) will appear on the Sequence Counter indicating that an unsuccessful attempt has been made to access the Installation or Program/Sensitivity Modes of the unit.

Operator's should never touch this control. If an operator should inadvertently press the **ACCESS** touchpad, no further action should be taken and the unit will return automatically to the Operate Mode in about ten (10) seconds.

2.3 INTERNAL MODULES

2.3.1 CONTROLLER MODULE

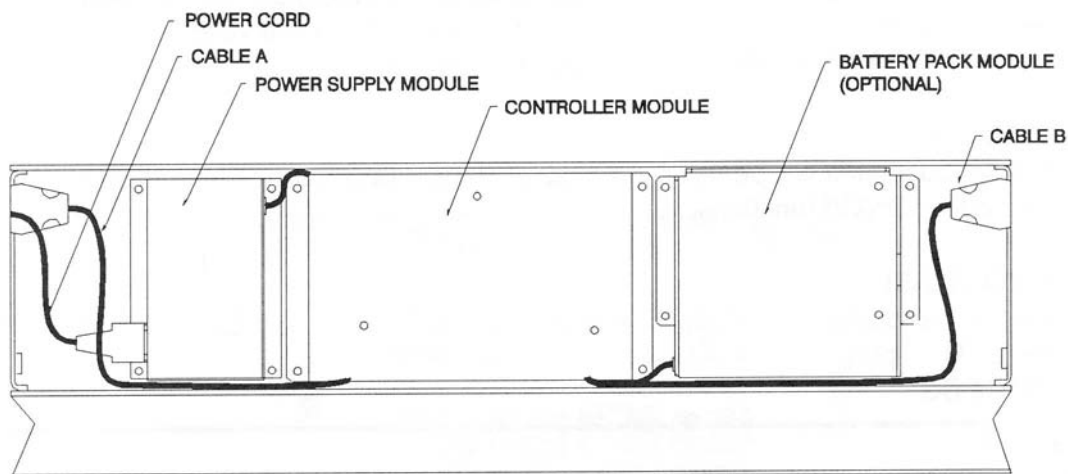
This module (in the center) contains all circuit boards necessary for operation of the detector. Two cables (A and B) that connect this module to the side panels are to be plugged into the connectors at the top of each panel. The cover of the **Controller** Module never needs to be removed except for:

- Connecting wires to remote alarm relays or synchronization circuitry (See Section 11.3);
- Connecting a remote console (See Section 11.5);
- Attaching the optional battery back up (See Section 11.6);
- Resetting to factory default Access Code (See Section 5.9).

Shown on the following page is a view of the detection unit after the access door has been opened. Three metal covers protect (from left) the **POWER SUPPLY** Module, **CONTROLLER** Module and the **BATTERY PACK** Module (Optional).

2.3.2 POWER SUPPLY MODULE

This module contains all circuitry that relates to the power required for operation of the detector. The Power Cord should be plugged into the Power Supply Module at the connector on the lower left side.



2.3.3 BATTERY PACK MODULE (OPTIONAL)

This module, which includes batteries and charging circuitry that comprise the optional battery pack, can provide 16 to 20 hours of continuous operation. The pack has a battery-monitoring circuit, which will allow the battery to be charged within 12 hours and will then switch to trickle charge to maintain a fully charged condition without damaging the batteries.

3. INSTALLATION INSTRUCTIONS

3.1 SITE SELECTION

The Garrett MT 5500 should be located on a level, stable floor with no large metal items within three (3) feet. Any nearby large metallic object can interfere with operation of the detector. Moving metallic objects, such as an escalator or revolving door, close to the detector can cause false alarms. Such alarms can also be caused by electrical interference from radio telephones, television monitors, powerful electronic motors and transformers, power cables and control circuits. A stabilizer base (PN 1603900 - not included) is required to stabilize the detector and help prevent the unit from being pushed over. Be sure to follow installation directions carefully. (See Section 11.7).

Garrett's special built-in circuitry is designed to suppress much of this electronic noise, especially X-ray monitor horizontal synchronization signals and closed circuit television. Multiple frequencies permit several MT 5500 units to operate simultaneously, in close proximity.

For information concerning the operation of multiple units, see Section 11.3.

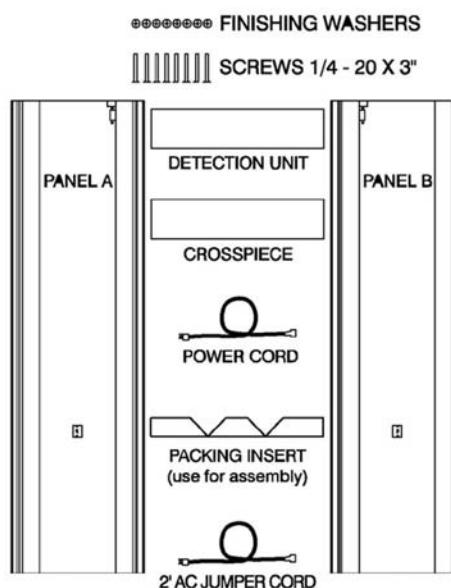
The site for a MT 5500 should be selected with requirements for its pedestrian traffic and use in mind; i.e. space for waiting lines, operators and areas for hand-scanning. Locate the archway where it will not be subject to rain, mist or condensation. Protect the power cable from pedestrian as well as vehicular traffic.

3.2 ASSEMBLY

NOTE: COMPLIANCE WITH REGULATORY STANDARDS REQUIRES THAT A CORD SET BE USED FOR INSTALLATION.

3.2.1 Lay out the major pieces of the MT 5500, as shown at the right. Make certain all other attachment devices are included. These should include:

- Detection Panel A
- Detection Panel B
- Detection Unit
- Crosspiece
- Power Cord
- 1/4-20x3" Screws (8)
- Finishing Washers (8)
- User's Manual
- Operator's Manual
- Access Code Card
- Instruction Video
- Cord Set

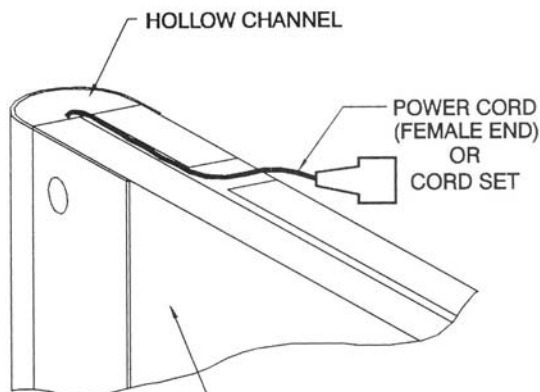


MT 5500 User Manual

3.2.2

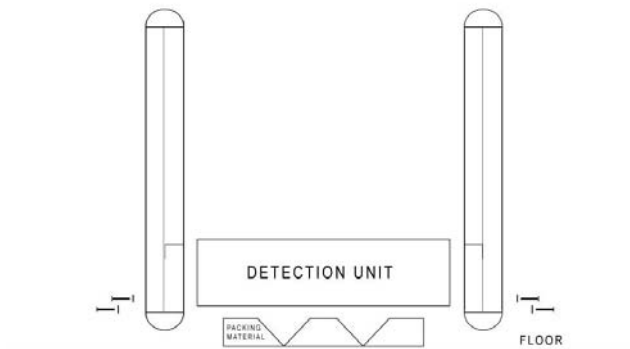
Install the Power Cord completely through one of the channels at the top of either of the Panels as shown below. A channel can be found in each of the four corners. Select the corner that will be convenient in relation to site selection. For overhead power connection, do not insert the cable through a channel but leave it free at the top.

If using cord set, it can only be routed through the channel closest to the Power Module (as shown) and out of the bottom of the panel. The standard power cord is then plugged into the Cord Set.



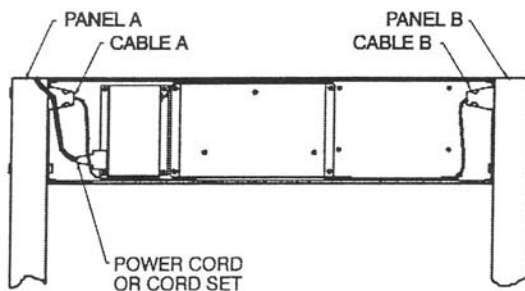
3.2.3

Place the styrofoam packing material on floor as shown and lay the Detection Unit on it with the touchpad panel facing down. Use four (4) of the Screws and Finishing Washers to connect the Detection Unit to Panels A and B. Do not tighten.

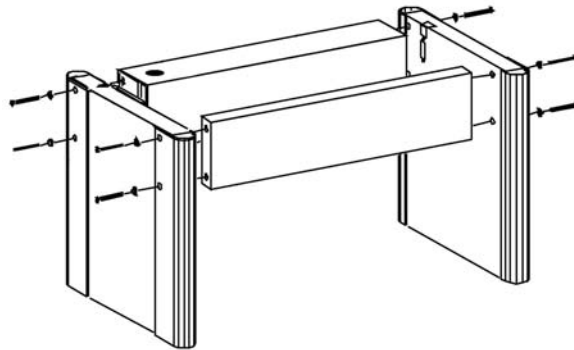


3.2.4

Open door of the Detection Unit and, first, connect Power Cord. Then, connect Cable A and Cable B to the Panels as shown.

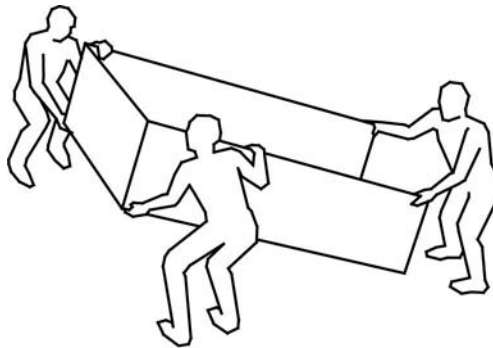


3.2.5 Use the remaining screws and washers to attach the Crosspiece to the two panels, as shown.



3.2.6 Tighten all eight screws securely with a slotted screwdriver.

3.2.7 With two or more people lift to a vertical position and move to location.



3.3.8 Check for stability of unit, which is important for proper operation and safety. If the floor proves to be uneven, either shim a corner or slightly loosen the screws connecting the Detection Unit and Overhead Crosspiece to the Side Panels and adjust as necessary.

3.3.9 Connect to the power line, and proceed with Installation Adjustments (See Section 5.)

4. SELF-DIAGNOSTIC TESTS

The Garrett MT 5500 LCD panel provides valuable information concerning the operation of this unit and the self-diagnostic program of which it is capable.

4.1 OPERATING INFORMATION

When the unit is placed into operation from the OFF Mode, the following information is reported:

1. Garrett Security Systems
2. Self-test
3. Battery % (if battery option is in use.)
4. Operate

When the OPERATE touchpad is pressed again, the following information is reported:

1. Serial Number of the unit will be displayed.
2. Software Version of the unit will be displayed.
3. 50 Hz or 60 Hz will be displayed.
4. SYNC MASTER or SLAVE will be displayed, indicating current status.
5. CHANNEL designation will be displayed, indicating current status.
6. Program and Sensitivity levels (PROG D SENS 165 will be displayed initially), indicating current status.
7. Self-test
8. Battery % (when Battery Option is in use.)
9. Operate

NOTE: Serial number will be displayed as long as the OPERATE touchpad is pressed.

4.1.1 SELF-TEST INFORMATION

After the sequence listed above is completed, as well as any time the **OPERATE SELF-TEST** touchpad is pressed, a system self-test procedure will be performed. The following information will be displayed on the Display Panel, as necessary. SELF-TEST will be displayed as the unit tests itself automatically. If any of the following six errors are detected, they will be displayed as shown below:

Example: SELF-TEST...3..4 (Indicates that both Error 3 and Error 4 are occurring.)

4.1.2 CORRECTIVE ACTIONS

4.1.2.1 Error 1: **Power failure**

Check line voltage and externally connected devices.

4.1.2.2 Error 2: **IR Emitter failure**

Check connector to Panel A.

4.1.2.3 Error 3: **IR Receiver failure**

Check connector to Panel B; check for blockage of IR beam at waist level of unit.

4.1.2.4 Error 4: **Receiver Balance problem**

Check for large metal objects near panels.

4.1.2.5 Error 5: **Transmit Energy out of range**

Check all connectors; check for very large object near Panel A.

4.1.2.6 Error 6: No Line Sync

If unit is in Slave Mode, check synchronization cable; otherwise, verify that the unit is set to Master. If an error occurs, follow the procedures noted above and press **OPERATE** to retest. You will be prompted SELF-TEST OK when all functions are correct. If problems continue to occur, consult with your supervisor or factory representative.

The self-diagnostic/reporting cycle described above will be carried out automatically by the unit any time the **OPERATE** touchpad is pressed.

4.1.3 FATAL ERRORS

The system continuously performs several of the tests described above. Errors 1,4 and 5 severely limit or prohibit acceptable performance of the MT 5500 and are considered Fatal Errors.

If a fatal error is encountered because of component failure, broken wire, etc., the audible alarm will sound and the LED display will begin to flash. To remedy the situation, press the **OPERATE** touchpad, which will initiate the self-diagnostic routine. Note the error(s) that will appear on the LED and follow instructions stated above. If a solution is not obvious, it will be necessary to follow the repair procedure described in Section 9.2.

4.1.4 NON-FATAL ERRORS

Errors 2, 3, and 6 may also occur. These failures do not limit the system's detection capabilities and the unit will continue to operate. Although the equipment is usable, it is important to identify and correct all problems as soon as possible in order to maintain full performance capabilities.

Another error indication is that of a warbling audio when a person is in the archway (or, for an extended time if the IR Analysis is switched off). This sound indicates that a large metallic object, such as a wheelchair, stroller, or very large hand-carried object, has "overloaded" the equipment to a degree that it cannot function accurately. If this sound is heard, the operator should see that the problem object is moved away, and the person being inspected should be required to pass through the archway again after the green READY light appears.

5. INSTALLATION ADJUSTMENTS

The Installation Adjustment Mode, which can be accessed only through use of a four-digit code (Access Code #2), permits the MT 5500 to be set up properly for best performance in a given operational environment. Various options permit setting the unit for proper operation in conjunction with other walk-through units or for dealing with typical operation problems.

Default settings, preset at the factory, are indicated below for each of the functions in this mode. Use the + or - touchpads to regulate any of the functions.

To access the Installation Adjustment Mode for the first time, press the **ACCESS** touchpad and enter the factory preset code of 5678. Functions to be set will be displayed in the following sequence: Pressing **ACCESS** will scroll through these selections:

5.1 RECEIVER BALANCE

RX BALANCE will be displayed, indicating the balance of the receiving antenna. A number less than 50 is acceptable. If the number is greater, check the areas around the detector for large metal objects. If such objects are found, either move the object(s) or move the detector to eliminate a potential problem.

Press **ACCESS** for next adjustment or **OPERATE** to return to normal operation.

5.2 TONE

The alarm tone is initially set at a median level. Through use of the + and - touchpads the tone level can be raised or lowered. A corresponding number (1 to 9) will be displayed on the LCD panel and the tone that has been selected will be heard. Each tone level number contains tones of two different pitches, low and high. The pitch of the desired tone is used to indicate left side or right side direction. When the desired tone is reached, press **ACCESS** to select the next adjustment or press **OPERATE** to return to normal operation.

5.3 SYNCHRONIZATION

Preset factory option is MASTER. See Multiple Unit Operation in Section 11.3 for directions on proper use of this option when it is necessary.

MASTER enables the unit to operate on its own internally generated synchronization from the power line.

SLAVE synchronizes the unit to the signal received from another MT 5500 on the Sync terminal (on the lower center of the Controller Circuit Board).

Press **ACCESS** for next adjustment or **OPERATE** to return to normal operation.

5.4 CHANNEL

This feature will allow multiple units to operate in close proximity. It is recommended that when two (2) MT 5500 units are operated in close proximity that Channels 1 and 2 are used. If three (3) or more MT 5500 units are operated in close proximity, use Channels 1, 2 and 3. (Section 11.3). Press **ACCESS** for next adjustment or **OPERATE** to return to normal operation.

5.5 VIDEO FILTER

This filter permits the unit to function effectively in proximity with video terminals of all types, computer, broadcast, closed circuit, etc. This filter may not apply to certain non-synchronous noise

sources. Settings from 1 to 63 are possible through the use of + and - touchpads. If noise is observed at your desired operating sensitivity, increment the Video Filter settings to locate the setting with least interference as observed by fluctuation of the Bar Graph.

Press **ACCESS** for the next adjustment or **OPERATE** to return to normal operation.

5.6 RELAY

This feature allows the AC and DC relay circuits to be changed easily to Normally Open (N/O) or Normally Closed (N/C) to meet installation requirements. Use + and - touchpads to select RELAY N/C or RELAY N/O (See Section 11.4). Press **ACCESS** for next adjustment or **OPERATE** to return to normal operation.

5.7 ALTER ACCESS CODE #1

This Supervisor Adjustments Code has been preset at the factory at 1234. To change this code:

1. Press the + touchpad.
2. Enter a new four-digit code.
3. The LCD display will prompt REPEAT CODE.
4. Enter the same four digits of the new code and it will be set and CODE ENTERED OK will be displayed. (If different digits are entered, the display will indicate INVALID ENTRY, and steps 2, 3 and 4 must be repeated.)

Press **ACCESS** for next adjustment or **OPERATE** to return to normal operation.

5.8 ALTER ACCESS CODE #2

This Installation Access Code has been preset at the factory at 5678. To change this code:

1. Press the + touchpad.
2. Enter a new four-digit code.
3. The LCD display will prompt REPEAT CODE.
4. Enter the same four digits of the new code and it will be set and CODE ENTERED OK will be displayed. (If different digits are entered, the display will indicate INVALID ENTRY, and steps 2, 3 and 4 must be repeated.)
5. Press **OPERATE** to exit the Adjustment Mode and enable the detector to be operated normally. If **ACCESS** is pressed, this Installation Adjustment cycle will be repeated, beginning with Receiver Balance.

5.9 RESETTING FACTORY DEFAULT ACCESS CODES

If a code number is ever lost or forgotten, codes may be reset to factory default settings through the following procedure:

- Open the main cover of the Detection Unit;
- Remove the three (3) screws that hold the Controller Circuit Board cover;
- With power connected and the unit in its Operate Mode press the Access Code Reset button in the upper center of the circuit board.
- ACCESS CODE #1 will again be **1234** and ACCESS CODE #2 will be **5678**.

SPECIAL NOTE: For maximum security it is recommended that both Access Code numbers be changes from the factory default settings and that the numbers be known only to those who use them. Record the new code numbers on the Access Settings card that accompanied this Owner's Manual. It is also suggested that codes be changed periodically, especially when any changes are made in personnel with access to the codes.

6. SUPERVISOR ADJUSTMENTS

Several adjustments may be made at the Supervisor's Level (Access Code #1). These are primarily program/sensitivity settings and the operation of the IR Sensor. These supervisor's adjustments can be accessed only through use of a four-digit code (See instructions for altering Access Code #1 under Installation Adjustments, Section 5.7)

To access the Supervisor Adjustment Mode for the first time, press the **ACCESS** touchpad and the factory preset code of 1234. The factory default settings of PROG D SENS 160 will be displayed on the LCD with the program designation blinking. Pressing the **ACCESS** touchpad will permit scrolling through these selections.

6.1 PROGRAM

The programs detailed in Section 11 have been developed for use by the Garrett MT 5500. These brief descriptions will give some indication of the intent of each program, but a final judgment on the setting of each individual unit should be determined by the intent of its installation. After the Program number is accessed through use of the four-digit code, + touchpad can be used to increase the number, and the - touchpad to lower it. Press **ACCESS** for next adjustment or **OPERATE** to return to normal operation.

CAUTION - The MT 5500, as with all walk-through metal detectors, has several available programs. The user may find that a different application (weapons detection, loss prevention, high or low volume, etc.) may be best served with one or more of these programs.

Garrett engineers have developed a special program (Program D) which minimizes the cancellation (masking) effect which can be experienced when certain materials of differing composition pass through the archway. It is recommended that this program be considered any time the system is employed for weapons detection.

6.2 SENSITIVITY

This option permits the unit to be adjusted (range of 1 to 200) to the proper level of sensitivity within a chosen program. Press **ACCESS** until the SENS and the number are displayed on the LCD. Use the + and - touchpads to adjust the number. Sensitivity of detection will be increased as the number is made larger, allowing alarm responses on smaller targets.

After the desired Sensitivity number has been selected, press **ACCESS** for next adjustment or **OPERATE** to return to normal operation.

6.3 IR ANALYSIS

The Garrett MT 5500 utilizes an Infrared Sensor to enhance the operation of the unit in special situations. IR Analysis — ON or OFF appears on the LCD to indicate whether or not the IR Analysis is being used. The + or - touchpad is used to turn the IR Analysis OFF and ON. Whenever this is done, it is necessary to press **ACCESS** for the next adjustment or **OPERATE** to return to normal operation.

Utilization of the Infrared Sensor is not required for operation of the MT 5500 and may be disabled if desired.

Several benefits of the sensor are:

1. The units can operate more effectively by correlating signal responses with actual physical movement. Because this sensor enables the MT 5500 to detect just those individuals and

objects while they are passing through the detector, it can minimize effects of noise and other influences.

2. By inhibiting the alarm when no one is in its archway, the IR Analysis greatly minimizes nuisance alarms. In instances where there is movement of large metal objects near the exterior of the unit, such as when luggage or supply carts pass by, or when lack of space requires the unit to be placed very near a conveyor belt of parcel X-ray equipment, the sensor will effectively inhibit alarms.
3. The IR Analysis provides a warning any time a person passes through the archway when the unit is in the Set-Up or Self-Test Mode.
4. The IR Analysis enables the detector to count the number of individuals passing through it.

6.4 ALARM LEVEL READING

Computerized circuitry of the Garrett MT 5500 permits the unit to report the minimum sensitivity level required to cause an alarm for the particular metallic target that is being passed through the archway. This information can then be used to regulate the unit.

Press the **ACCESS** touchpad until PLEASE WAIT appears on the LCD Display, followed by ALARM LEVEL and a number. The target in question should then be passed through the unit. Note the Alarm Reading number that then appears on the LCD. This is the Sensitivity level that will be necessary for the unit to sound an alarm on this target. Press the **+** touchpad to reset the indicator after each measurement. It is recommended that several measurements of each object in question be made at various archway positions to obtain the optimum sensitivity level setting.

Press **ACCESS** for next adjustment or **OPERATE** to return to normal operation.

6.4.1 TYPES OF AUDIO ALARMS

Understanding the different audio alarms that the MT 5500 produces will enable both supervisors and operators to understand the detector better and help assure totally accurate screening. Each of three basic types of audio alarms is designed to call the operator's attention to current circumstances.

6.4.1.1 SET UP ALARM

Produces two short beeps as a person is walking through the unit. This alarm indicates that the metal detector is in a set-up mode and is not ready for operation. Wait for the green READY light (press OPERATE, if necessary). Person(s) who triggered the Set-up alarm must pass through the unit again.

6.4.1.2 STANDARD ALARM

There are three (3) different standard alarms, with tonal differences to indicate whether the target is on the left side, right side or center / balanced within the archway. One of these alarms will sound when the red ALARM light appears and a target amount of metal is detected according to Program and Sensitivity levels.

6.4.1.3 WARBLE ALARM

Occurs when a large metal mass, such as a wheelchair, furniture or large metal container is moved through or near the MT 5500. The large amount of metal has saturated the detector's receiver circuits and the warble alarm is an indicator that the operator should correct the situation before allowing anyone to pass through the metal detector.

7. SUPERVISOR RESPONSIBILITIES

7.1 CALIBRATION

Calibration settings of walk-through metal detectors are dependent upon individual security screening requirements and, therefore, **must be the responsibility of the screening installation.** Program and Sensitivity settings should be established at a level that permits the detector to detect all forbidden objects that can be reasonably expected to appear at a particular screening station. Actual forbidden objects should be used as targets for initial calibration.

7.2 FAA TEST PIECE

Garrett manufactures an Operational Test Piece (OTP) made to the specifications of the U. S. Federal Aviation Administration (Garrett Accessory #1600600). This piece is intended to simulate a small firearm.

If the OTP does not represent a specific security requirement then a different test piece(s) should be considered.

7.3 TESTING

It is imperative that a standard test program be developed for walk-through metal detectors within a security system. The various tests should be made on a regular basis to ensure that each unit is properly calibrated and is detecting metal. The OTP has been designed to serve as a basic instrument for use in such a test program.

A test program should include passing the OTP and/or other objects through each metal detector at various specified heights and horizontal positions, with the OTP (objects) held in different orientations. The number of repetitions required at each level with corresponding successful alarms should be established, and this testing system should be adhered to consistently.

Included in the test procedure should be the requirement that the tester be free of all metallic items, including shoe shanks, prior to arming himself with the OTP. A hand-held metal detector can be used to confirm that the tester is "clean" of extraneous metallic items.

7.4 ANKLE BOOST

The MT 5500 incorporates the ability to adjust the sensitivity at ankle level without increasing sensitivity throughout the passageway. The factory setting is with standard ankle boost to allow easier passage of shoes containing metal shanks. Two additional levels of boost are available for higher levels of security.

This adjustment should be used only when sensitivity at ankle level needs to be increased.

7.4.1 PROCEDURE:

- Disconnect the unit from AC power source (switch off battery back-up module, if installed);
- Open access door of detection unit;
- Remove the three (3) screws that hold the controller cover;
- Move jumpers as shown in the diagram on Figure 7.4.1 to achieve the required level of boost (all jumpers must be set to the same level);
- Replace cover and reconnect power;
- Test unit to assure desired performance level.

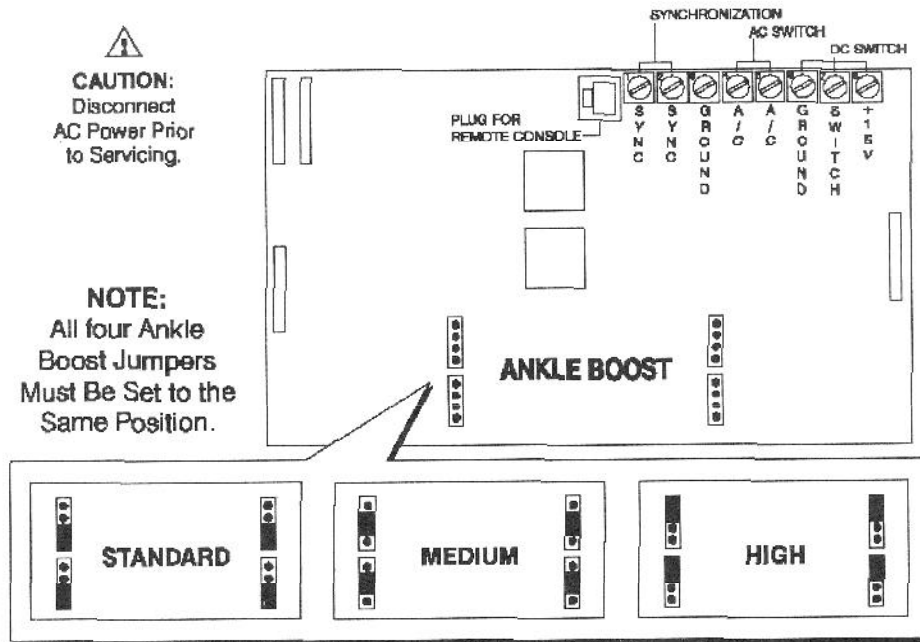


Figure 7.4.1

7.4.2. APPLICATIONS:

- **High:** High sensitivity; low traffic volume
- **Medium:** High Sensitivity; high traffic volume
- **Standard:** Normal sensitivity; high traffic volume

NOTE: Ankle level sensitivity can be adjusted for any program / sensitivity selection.

8. TECHNICAL SPECIFICATIONS

8.1 ELECTRONICS

Digital-controlled pulse induction metal detector with multi-dimensional detection; target location discernible on left, right or center of detector; microprocessors utilized in both detection and control circuitry. Electronics are modular and designed for easy plug-in and change.

8.2 DETECTION FIELD

The multiple coil design offers multi-dimensional detection field with total uniformity horizontally and vertically. This coil design plus a choice of 3 levels of ankle level boost eliminates traditional hot spots and weak signals. Target detection is precise, regardless of its location within the archway.

8.3 SELF DIAGNOSTIC

Whenever the unit is turned ON, a self-test of all systems is performed automatically with any failures or problems reported (in words) on the LCD display.

8.4 PROGRAM

Levels: Ultimate versatility; 20 standard programs. Designed for tailoring detection response to fulfill various security applications.

8.5 SENSITIVITY

1-200 per program for precise target selection.

8.6 MEMORY

All program selections and settings are maintained in electrically erasable non-volatile memory. The unit will maintain all settings even when disconnected from power. No battery is required for memory retention.

8.7 OVERHEAD CONTROL UNIT

LCD Display, LED bar graph and control touchpads plus all wiring, connections and electronics are integrated in a single overhead compartment that eliminates exposed wires and an external control box.

8.8 CONTROL OUTPUTS

Solid state switches (low voltage AC or DC) for operating external alarms and control devices.

8.9 INDICATORS

READY light indicates unit is operational; ALARM lights and audible alarms with variable tones are activated when target amount of metal is detected; location of alarm lights on left and right side of display, combined with variable tone, indicates location of target on individual passing through unit, LED Bar Graphs indicate amplitude of detection response.

8.10 TRAFFIC COUNTER

Built-in and resettable with current reading easily available on LCD panel.

8.11 TAMPERPROOF

Dual-level access codes required to set or change all sensitivity settings and detection program; one level for use by supervisors in selecting programs and sensitivity and the other for initial set-up and overall control. Non-resettable sequence code logs all changes made whenever sensitivity codes are accessed. Audible alarm reports any unauthorized attempt at access.

8.12 CONSTRUCTION

Attractive scratch- and mar-resistant laminate with resilient end caps; control panel and crosspieces of heavy duty aluminum.

8.13 REGULATORY STANDARDS

See 8.2.7

8.14 INFRARED SENSOR

Improves analysis of detection signal; increases throughput; helps eliminate "false alarms"; also provides accurate traffic counter.

8.15 INTERFERENCE REJECTION

100% sensor coil Faraday shielding. Unique Garrett built-in circuitry for noise suppression and ignoring x-ray monitor horizontal sync. Physical interference minimized by coil and design and circuitry. RFI-EMI filters provide attenuation from 10 MHz to 1000 MHz.

8.16 MASKING

Microprocessor programming designed to minimize the potential problem of detection signals from two or more targets canceling each other.

8.17 SYNCHRONIZATION

Multiple frequencies permit several MT 5500 units to operate simultaneously, in close proximity.

8.18 ELECTRICAL

Fully automatic 100 to 240 VAC, 50/60 Hertz, 55 watts; no rewiring, switching or adjustments required. Power supply meets UL, CSA, TUV and VDE standards. Also complies with IEC standards for Safety Requirements for Electronic Measuring Apparatus and meets the Federal Communications Commission Class B standards for noise emission from commercial electrical equipment.

8.19 OPERATING TEMPERATURES

-4°F (-20°C) to + 158°F (70°C)

8.20 HUMIDITY

To 95 % noncondensing

8.21 THROUGHPUT RATE

Continuous detection means throughput is not limited by electronics; more than 60 detections per minute is reasonable; overall throughput is maximized by minimum false alarms and alarm display that assists in locating targets.

8.22 OPTIONAL FEATURES

- 2225770 - Dual battery back up allows 16-20 hours use with quick recharge (within 12 hours) capability.
- 2225500 - Remote Control Console allows remote operation up to 50 feet operating capability.
- 1168000 - Magna Dolly wheel assembly for easy portability.
- 1603900 - Anti-tilt brackets help prevent tipping and can be used to anchor unit.

8.23 WEIGHT
Approximately 115 pounds (52.1kg)

8.24 WARRANTY
24 months, parts and labor

8.25 MODEL

- 1167700 MT 5500
- 1167720 MT 5500 International

8.26 DIMENSIONS

- **Passageway interior:** Width: 30" (0.76m) / Height: 80" (2 m) / Depth: 20" (0.57m)
- **Overall exterior:** Width: 35" (0.9m) / Height: 87" (2.2m) / Depth: 23" (0.57m)
- **Shipping:** Width: 33.5" (.85m) / Height: 91.5" (2.3m) / Depth: 6.25" (15.9cm) / Weight: 139 lbs. (63kg)

8.27 REGULATORY INFORMATION
The Garrett MT 5500 meets or exceeds detection requirements of the National Institute of Law Enforcement and Criminal Justice Standards #0601.00, levels 1-5, and Federal Aviation Administration airport application specifications. Programs have been designed specifically to meet the three-gun test of the FAA and the requirements of the Undetectable Firearm Act of 1991.

The unit also complies with IEC standards for Safety Requirements for Electronic Measuring Apparatus and meets the Federal Communications Commission Class B standards for noise emission from commercial electrical equipment.

9. MAINTENANCE & REPAIR

9.1 PERIODIC MAINTENANCE

Periodic maintenance of the equipment requires only inspection for loose or damaged parts and cleaning of the exterior surfaces.

- Open the access door of the Detection Unit and check that all connectors are snapped securely and that all screws and nuts are in place.
- Inspect the windows of the IR Sensor to make certain they are not blocked in any way.
- Check to make certain that the eight (8) screws that attach the Crosspiece and Detection Unit to the Panels are in place and tight.
- Check to make certain that the archway sits flat on the floor and does not sway or rock.
- If the power cord or cable to remote devices are at floor level, check for frayed or broken wires. Replace immediately.
- Clean exterior surfaces with mild soap and water only. If a solvent is necessary for heavy cleaning, use only denatured alcohol.
- Test the detector daily, or whenever the environment changes.

9.2 REPAIR

There are no user-adjustable controls inside the unit.

Should the equipment ever fail to perform properly, contact the seller for the name of the nearest field service representative, or contact the factory.

Because the equipment is of modular design, repairs can often be made through replacement of these plug-in modules. An illustrated parts list follows for your convenience.

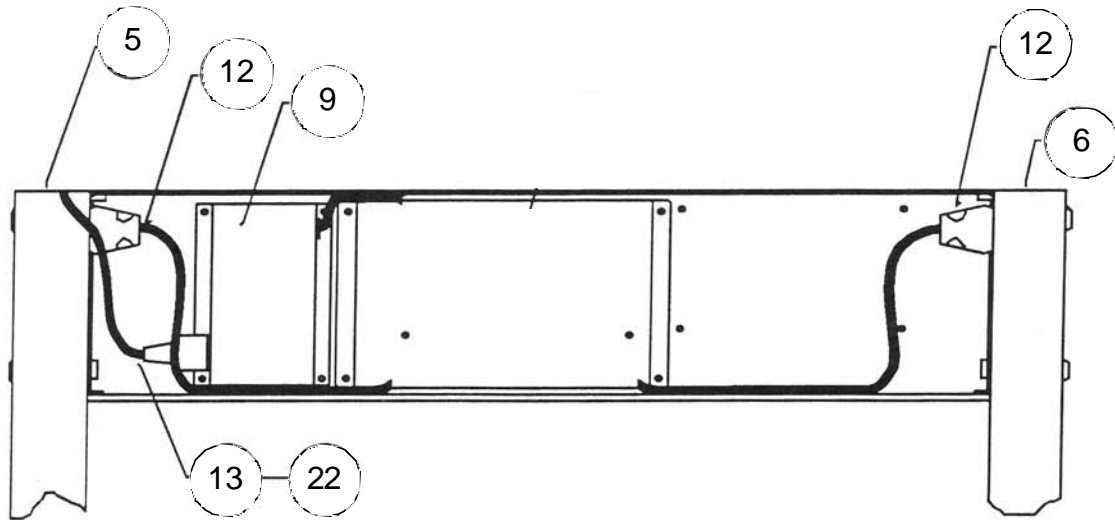
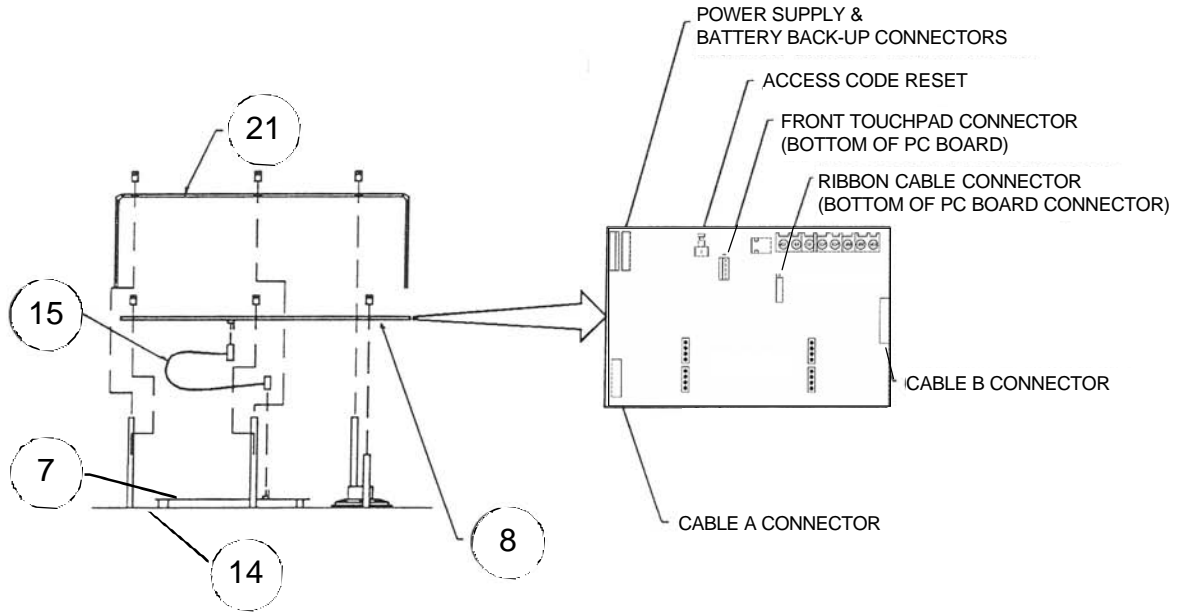
If problems are site-related, see Section 3.1 or contact the factory for assistance. Many times these problems may be resolved through the adjustment of the equipment or through relocation of the equipment or surrounding objects.

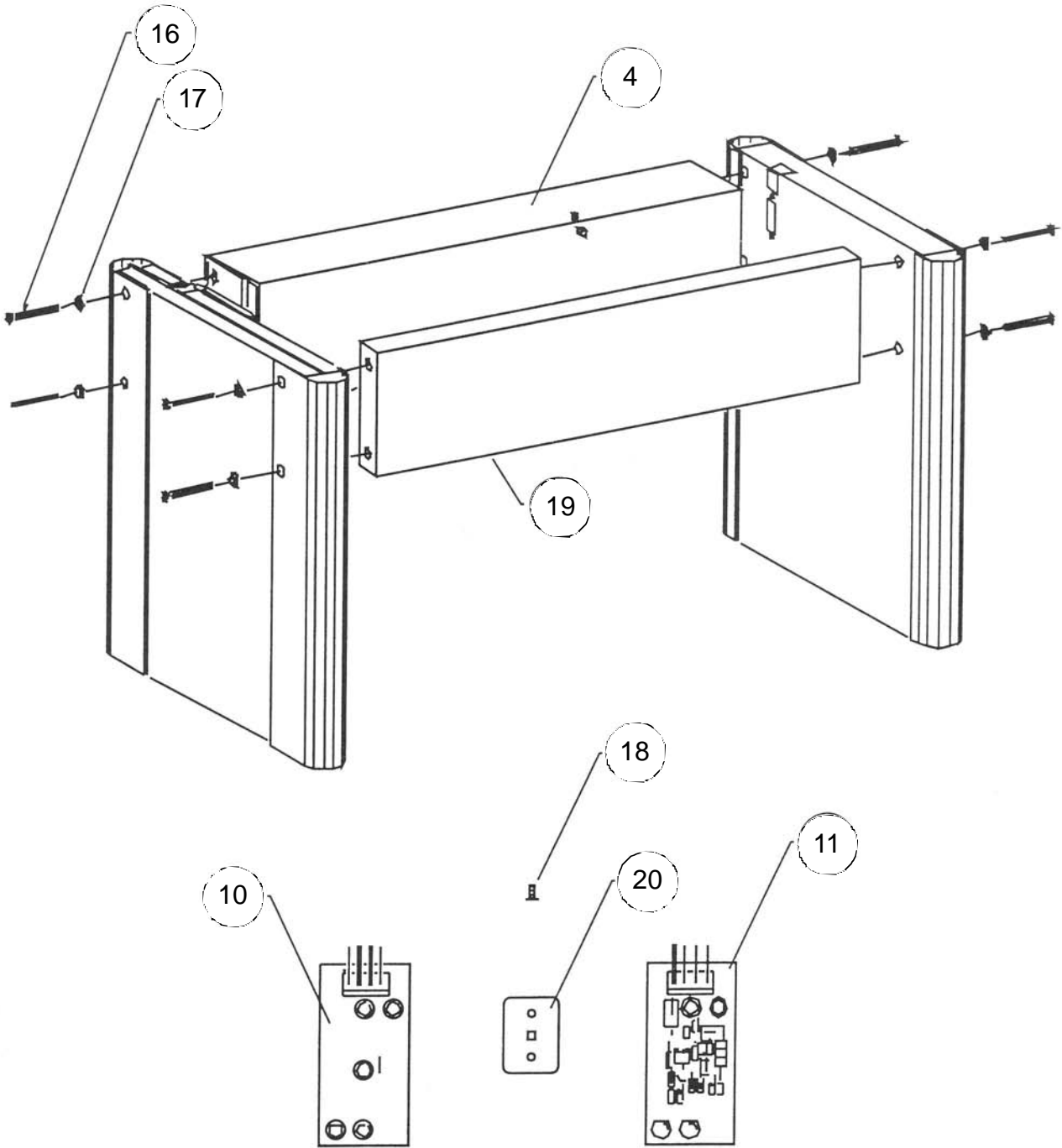
9.3 MODULE REPLACEMENT

The system is built as a series of modules, each of which can be easily removed and replaced. These modules are tested and calibrated independently, and there is no need for adjustment of any other electronic assembly when a module is replaced.

It is **necessary** to test the system carefully to verify operation and the suitability of the product after any component replacement.

MT 5500 User Manual





MT 5500
User Manual

9.4. REPLACEMENT PARTS

ITEM	DESCRIPTION	PART #	QTY
1	Access Control Card	1562300	2
2	Operation's Manual	1529670	1
3	VHS - Instructional Video	1671672	1
4	Detection Unit	2225501	1
5	Panel A	2228070	1
6	Panel B	2227971	1
7	Display Circuit Board Assembly	2335702	1
8	Controller Circuit Board Assembly	2335602	1
9	Power Supply Module 100-240 vac	2326370	1
10	IR Emitter Circuit Board Assembly	2333702	1
11	IR Detector Circuit Board Assembly	2333802	1
12	Cable Assembly, Detection Unit	2400070	2
13	Power Cord 110v 17'	9411500	1
14	Touchpanel	9419900	1
15	Ribbon Cable-16 conductor, 6"	9504700	1
16	Screw 1/4-20x3"	9820400	8
17	Finishing Washer	9820500	8
18	Screw 4-40-3/8 flat head, light beige	9822980	4
19	Crosspiece	9968800	1
20	Cover with window	9969590	1
21	Controller Cover	9984500	1
22	Cord Set	9424900	1

9.5 WARRANTY

Garrett Electronics, Inc. ("Garrett") warrants that this MT 5500 weapons/metal detector is protected by the following limited parts and labor warranty for a period of 24 (twenty-four) months (the "Warranty").

During this 24-month period Garrett will inspect and evaluate all security equipment returned to its authorized repair station or factory to determine if the equipment meets performance specifications. Garrett will repair or replace at no charge to the owner all parts determined faulty. This Warranty does not cover batteries nor any and all failures caused by abuse, tampering, theft, failure due to weather, battery acid or other contaminants and equipment repairs made by an unauthorized party.

This warranty is expressly in lieu of all other warranties, expressed or implied, including the warranty of merchantability or fitness for a particular purpose.

The Buyer acknowledges that any oral statements about the merchandise described in this contract made by Seller's representatives, if any such statements were made, do not constitute warranties, shall not be relied upon by the Buyer and are not a part of this contract for sale. The entire contract is embodied in this writing. This writing constitutes the final expression of the parties' agreement and is a complete and exclusive statement of the terms of this agreement.

The parties agree that the sole and exclusive remedy against Seller shall be for the repair and replacement of defective parts. The Buyer agrees that no remedy (including, but not limited to, incidental or consequential damages for lost sales, lost profits, injury to person or property) shall be available to him.

10. OPERATING INSTRUCTIONS

This Manual is designed to provide all necessary information required for operation of the Garrett MT 5500 walk-through metal detector. It contains four sections:

- Description of the detector;
- Description of all controls;
- Operators' responsibilities;
- Basic operating instructions.

10.1 BASIC INSTRUCTIONS

In addition to following all operating procedures as directed by supervisors the operator of a MT 5500 detector has only these responsibilities:

- Assure that the detector is always operating properly;
- Select OFF and Operate / ON modes;
- Regulate volume of the alarm;
- Read and/or reset the counter;
- Respond to all alarms.

10.2 LCD REPORTS INFORMATION

The LCD, on an overhead panel of the detector, reports information concerning the unit's calibration and operation. This includes program data, sensitivity settings, operator settings and fault indication. A bright LED bar graph, easily visible from a distance, reports detection levels and separate lights indicate ready and alarm conditions. All regulation and control functions are "self-prompting" with necessary commands shown automatically on the LCD. The unit also features the capability to report a traffic count on its LCD.

Exact control of the unit's sensitivity is assured by a system with 200 precise and repeatable steps for each program level, regulated by state-of-the-art touchpads and reported visually on the LCD. Improved security of the unit's detection settings comes from a totally new system of access codes. Two levels of codes eliminate the need for bothersome keys for locked doors or other protective devices, while the MT 5500's circuitry provides precise accuracy of calibration never before achieved. Access Code #1 is used by supervisors for selecting programs and sensitivity, with Access Code #2 designed for initial set-up and overall control. All settings are encoded by touchpads and stored in a resettable memory.

Security of the unit's calibration settings is further protected by a non-resettable sequence code that allows supervisors to keep a log of all changes that are ever made to the program, sensitivity or set up, as well as any unsuccessful attempt at changing them. In addition, a tamper indication reports any unauthorized attempts at access.

A complete and automatic self-diagnostic program is carried out by the MT 5500 each time the **OPERATE** touchpad is pressed. In addition, the detector utilizes self-testing circuitry that enables it to identify and report automatically the failure of elements that would affect operation of the unit.

10.3 CONTROLS / LCD DISPLAY

Large alpha/numeric display on the Control Panel, backlit for easy viewing, reports (in words) all regulating, controlling and self-prompting functions of the unit. Because the unit is designed to be "user-friendly," all regulation and control functions are self-prompting with necessary commands shown on the LCD display. Operators should follow instructions of supervisors concerning responses to these commands.

10.4 READY LIGHT

This green light appears when full power has been turned on and the unit is ready to detect. The light will also indicate when an individual inspection has been completed by the unit and it is ready to accept the next person. Operators should make certain the green light is visible before any individual is permitted to pass through the detector.

10.5 ALARM LIGHT

These red lights appear when the unit detects a targeted amount of metal on an individual, according to specifications of the Program and Sensitivity levels that have been selected. If only one light appear, it will indicate which side (left or right) of the passageway the largest target can be found. When both lights appear, the target(s) are centered or balanced within the archway. The lights will appear even when Audio volume has been turned OFF. Operators should be instructed to respond to all alarms. For any detector to be effective in a security system it is absolutely necessary that the cause of EVERY ALARM be determined.

10.6 TYPES OF AUDIO ALARMS

The MT 5500 has three types of alarms. Each of these unique alarms is designed to call the operator's attention to current circumstances:

10.6.1 SET-UP ALARM

Produces two short beeps as a person is walking through the unit. This alarm indicates that the metal detector is in a set-up mode and is not ready for operation. Wait for green READY light (press **OPERATE** touchpad, if necessary). Person(s) who triggered the Set-up Alarm must pass through the unit again.

10.6.2 STANDARD ALARM

There are three different standard alarm tones. These tones indicate whether the target is on the left side, right side or center / balanced within the archway. One of these alarms will sound when a red ALARM light appears and a targeted amount of metal is detected according to Program and Sensitivity levels.

10.6.3 WARBLE ALARM

Occurs when a large metal mass (a wheelchair) moves through or near the MT 5500. When a large amount of metal saturates the detector's receiver circuits the warble alarm indicates that the situation should be corrected before anyone passes through the detector.

10.7 BAR GRAPH

The two LED displays located on the Control Panel indicate the detection intensity which is based on the amount and composition of metallic objects passing through the unit.

10.8 TOUCHPADS

Eight touchpads on the overhead Control Panel perform all control functions.

10.8.1 OFF

When this touchpad is pressed, the unit is turned OFF. All information and settings are stored in memory and the unit is ready to be returned to full operation when the OPERATE touchpad is pressed. Operators should use all touchpads only as instructed by supervisors.

10.8.2 OPERATE

When this touchpad is pressed, the MT 5500 activates all circuits, initiates a self-diagnostic program and places the unit in the Operate Mode within 10 seconds. This diagnostic program for instant fault

detection can be activated at any time by touching this **OPERATE** pad. If any faults are ever found, they will be immediately reported on the LCD display. (See Section 4.1.1)

10.8.3 COUNTER

Since the current traffic count of the MT 5500 is usually displayed, this touchpad will be needed only for resetting the counter. Pressing and holding this touchpad for ten (10) seconds causes the counter to return to zero (0). Whenever the LCD displays information other than the current traffic count, pressing this touchpad will cause the count to appear.

10.8.4 VOLUME

When this touchpad is pressed, the volume level of the unit's audible alarm will be displayed on the LCD display. By using the + and - touchpads, operators can raise or lower the volume.

10.8.5 + AND -

These touchpads will be used to increase or decrease various numerical settings and for certain ON / OFF functions.

10.8.6 PROGRAM

When this touchpad is pressed, the settings for Program and Sensitivity will appear on the LCD display.

All of the preceding touchpad functions will be available to operators of the detector at all times. The **ACCESS** touchpad will be used only by supervisors.

10.9 ACCESS TOUCHPAD

Operators never need to use this touchpad. This touchpad will be used only by supervisory management personnel. It permits changing the Program and Sensitivity codes and also is used to control such functions as synchronization of multiple units, pulse frequency and tone. The unit further protects security of control settings by maintaining a non-resettable sequence code that indicates any attempt at seeking access to the settings. A Tamper Alarm sounds within 10 seconds after the ACCESS touchpad is pressed unless a proper access code is entered. Follow supervisors' instructions concerning response to this Tamper Alarm.

10.10 OPERATORS' RESPONSIBILITIES

- The primary responsibility of any operator is to follow all instructions of supervisors.
- These directives will govern the response of operators to alarms and other situations that will be encountered. The basic continuing responsibility of the operator will be to ensure that the MT 5500 operates properly at all times as indicated by its LCD panel and that **ALL** alarms are investigated.
- Remember that the cause of every alarm **MUST** be determined.

10.11 OPERATORS' INSTRUCTIONS

All personnel who are associated with the detector should watch a video presentation on the MT 5500 in addition to studying this User Manual. Carefully following the instructions in the Manual will help ensure the security of any facility this walk-through detector is expected to protect.

As described in the CONTROLS section of this manual, MT 5500 controls are located in the top section of the archway. If the green READY light is not visible on the control panel, press the **OPERATE** touchpad. Operators can also adjust volume of the alarm and can reset the traffic counter.

10.12 READY LIGHT

The green READY light, located at the top center of the Control Panel indicates that the MT 5500 is operating. When the green light is showing, power has been turned on and the unit is prepared to detect metal.

The green READY light must always be on before anyone is permitted to enter the archway for inspection.

The green light will “wink” whenever anyone breaks the IR beam across the archway or whenever there is a noise “spike.” If the green READY light should ever go off and remain off, however, the operator should immediately press the **OPERATE** touchpad. The detector will then institute a self-test program with results reported on the LCD display. All traffic through the unit must be halted until the green READY light again appears and remains constant.

10.13 DIAGNOSTIC PROBLEMS

Operators should follow instructions of supervisors concerning their response to any faults ever discovered by the MT 5500 in its self-diagnostic program. Two situations that can be immediately remedied by operators will be indicated by Error 3 and Error 4 on the LCD Panel.

- **IR Fail (Error 3):** Some obstruction within the unit may be blocking the optical sensor that projects across the archway. Operator should make certain that the openings for the optical sensor on each side of the archway, approximately 30 inches from the floor, have not been blocked in any way.

- **Receiver Balance (Error 4):** This problem could be caused by the presence of a large metal object that has been placed near the unit. Operators should look for such an object and move it.

Even though these actions may temporarily solve the problems discovered by the self diagnostic program, supervisors should be notified.

While the detector is operating, if a test ever shows a failure that severely limits or prohibits acceptable performance of the unit, the alarm will sound and the LED display will flash. This flashing will continue until power is removed or the cause of failure is corrected.

10.14 RESPONDING TO ALARMS

When an alarm sounds and the red ALARM light(s) go on, the person passing through the detector at that time must either be scanned immediately with a SuperScanner or SuperWand hand-held metal detector or asked to walk through the unit again after removing metal objects from body and clothing. The multi-dimensional natures of the MT 5500 will help locate the position of the metal causing the alarm. The audio and alarm light indicates the side (left, right, center/balanced) that the offending target is located. This allows the operator to search this area first. It is important that after the offending target is located, the operator completes the search of the individual to verify no other targets exist.

If an alarm sounds after the person has removed metal objects, hand scanning is mandatory to find the source of metal sounding the alarm. This metal must always be found before a person can be allowed to proceed.

An operator should take nothing for granted. The source that causes any alarm must be discovered. If a concealed weapon is ever found, the operator should follow instructions that have been given by supervisors.

10.15 ADJUSTING VOLUME

To adjust the volume of the alarm, the operator should first press the **VOLUME** touchpad. Then use the **+** and **-** touchpads to regulate the volume. Finally, press the **OPERATE** touchpad to resume normal operations.

10.16 NUISANCE ALARMS

Any metal detector will occasionally register what is called a “nuisance alarm,” triggered by electrical or mechanical noise from the environment. On most walk-through detectors such an alarm can sound when a person carrying no detectable metal is passing through the archway, or even when nobody is passing through. Audible nuisance alarms are minimized by the IR Sensor. This sensor requires that a person must be passing through the unit for any alarm to sound. Because the IR Sensor can be turned off by a supervisor, operators should always know whether it is functioning or not.

It is important to remember that after power has been turned on, the MT 5500 is operating **at all times**. Its IR Sensor capability inhibits the alarm only when there is no object or person within the archway.

No detector, however, is immune from nuisance alarms caused primarily by electrical disturbances from large motors, computers, fluorescent lighting or many other sources. An operator should not be overly concerned about nuisance alarms, but should accept that they can happen and be ready for them. Of course, it will be necessary to retest any person passing through the detector when a nuisance alarm is believed to have sounded.

Because of the high level of design quality represented by the MT 5500 and its IR Sensor, it can be expected to produce relatively few “nuisance alarms” when installed properly. Nevertheless, operators should always follow instructions from supervisors about reporting them.

On rare occasions a nuisance source might trigger the alarm just as someone is passing through the detector. An operator should never try to guess about the source of such an alarm, and it should never be assumed that the alarm is a nuisance. There have been occasions when an individual would intentionally bump against a detector while passing through it and try to blame an alarm on the bump.

If an alarm sounds for any reason while a person is passing through the archway, that person must be asked to walk through the unit again and/or be examined for metallic objects with a hand-held detector.

There will be no exceptions.

10.17 TAMPER ALARM

Whenever the **ACCESS** touchpad is pressed, the detector will begin “beeping” for about ten (10) seconds or until a four-digit numerical access code is entered with the touchpads. During these ten (10) seconds, the detector will sound an alarm if any person or object passes through the archway. When less than four touchpads are pressed or if no attempt is made to enter a code within ten (10) seconds, the detector will return to normal operation. After the **ACCESS** touchpad is pressed, if an unauthorized four-touchpad code is entered, an audible Tamper Alarm will sound three loud “beeps.” The detector will then return to normal operation.

Any attempt at access to the detector’s controls will also be indicated by an increase in the SEQUENCE code as reported on the LCD display. Any **unauthorized** attempt at access that acti-

vates the Tamper Alarm will be indicated by this symbol (*) adjacent to the SEQUENCE code number. If the Tamper Alarm ever sounds, an operator should follow supervisor's instructions.

10.18 COUNTER

If the current traffic count is not being reported on the LCD display, press this touchpad to view it. Pressing and holding this touchpad for ten (10) seconds enables the operator to return the traffic counter to zero (0). Supervisors will issue instructions concerning this control and its use by individual operators.

10.19 SUMMARY

It is important that all operators study the guidelines in this section carefully and remember their basic responsibilities for operating the MT 5500 as stated on the first page:

- Make sure power is turned on;
- Make certain the unit is operating properly;
- Adjust volume of the alarm;
- Read the counter;
- Respond to all alarms.

Most important of all is the operator's responsibility to make certain that every alarm be investigated and that the reason for that alarm be determined.

The MT 5500 is a fine walk-through metal detector. But, in the end, even an electronic device as sophisticated as this is only a tool. Ultimate success of its operation is dependent upon:

- The training and diligence of the men and women who operate it;
- The system of which it is a part.

11.2 PROGRAMS

Note: Although different settings are required for different applications, the manufacturer finds Program D most effective for high volume high security; Program A for low volume maximum security; and Program 9 in loss prevention situations and in cases where noise problems limit performance of custom programs. It is the responsibility of the user to select and implement that program which is best suited to a particular situation.

11.2.1 PROGRAMS 1-10

- Standard programs designed to detect a broad range of objects.
- Lower numbered programs are primarily for the detection of ferrous objects such as iron, most stainless steel, etc.
- High numbered programs are primarily for the detection of conductive objects such as those made of aluminum, zinc, lead, etc.
- Programs 7-9 provide a balanced response to ferrous and conductive objects.
- Program 9 provides good discrimination against foils (cigarette packs, etc.).
- Immunity to external noise is good, making these programs useful in noisy environments.
- Overall discrimination is poor.
- Recommended applications include loss prevention and installations where specific objects need to be emphasized or ignored.

11.2.2 PROGRAMS 11-15

- Standard programs designed to detect a broad range of objects.
- Lower numbered programs are primarily for the detection of ferrous objects such as iron, most stainless steel, etc.
- Higher numbered programs are primarily for the detection of large conductive objects such as those made of aluminum, zinc, lead, etc.
- Programs 14 and 15 provide a balanced response to ferrous and conductive objects.
- Immunity to external noise is poor, making these programs difficult to use in noisy environments.
- Overall discrimination is moderate.
- Recommended applications include loss prevention and installations where specific objects need to be emphasized or ignored.

11.2.3 PROGRAM A

- Custom program designed to detect the broadest range of objects.
- Emphasis of detection is on conductive objects. This program provides the highest level of security available in the MT 5500.
- Immunity to external noise is moderate, making this program usable in most environments.
- Discrimination is poor.
- Recommended applications include **prisons** and other installations where volume requirements allow thorough inspection of each individual.

11.2.4 PROGRAM B

- Custom program designed to detect ferrous and conductive objects equally.
- Immunity to external noise is moderate, making this program usable in most environments.
- Discrimination is moderate.
- Recommended applications include general security.

11.2.5 PROGRAM C

- Custom program designed to detect ferrous and conductive objects equally.
- This program is optimized for the three-gun test of the Federal Aviation Administration (FAA).

- Immunity to external noise is moderate, making this program usable in most environments.
- Discrimination is good, providing the highest throughput rate.
- Recommended applications include airports, schools, courtrooms and other high volume installations.

11.2.6 PROGRAM D

- Custom program designed to detect ferrous and conductive objects.
- Emphasis of detection is on conductive objects; this program provides a level of security that exceeds FAA requirements.
- Discrimination is moderate to good; prevents detection signals from two or more targets from canceling each other (masking).
- Recommended applications include airports, special events, private businesses, government buildings, schools, courtrooms and other installations requiring the maximum possible security in high volume operation.

11.2.7 PROGRAM E

- Custom program designed to detect ferrous and conductive objects.
- Emphasis of detection is on conductive objects.
- Immunity to external noise is moderate, making this program viable in most environments.
- Discrimination is moderate to good.
- Recommended applications include loss prevention.

11.2.8 RECOMMENDED PROGRAMS

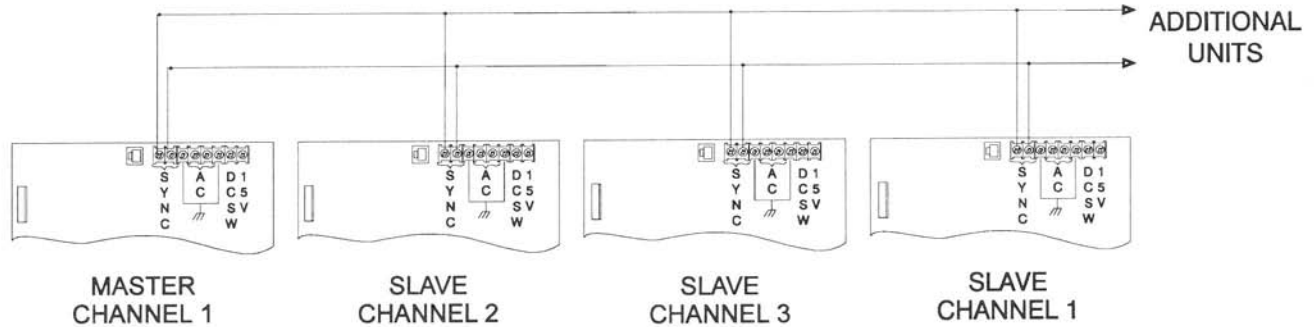
When to Use	Applications	Program	Metal Types	Discrimination
High volume traffic	Airports, special events, private businesses, gov't buildings, schools, courthouses, hospitals, corporate security	D	Detects FAA test guns, plus the multi-composition subject to masking alloy types, iron, aluminum, steel	Good to excellent prevents masking designed to ignore common pocket items (High throughput)
When maximum throughput is required	Airports	C	Specially tuned to detect FAA 3 guns, stainless steel, iron, aluminum	Excellent - designed to ignore common pocket items. (High throughput)
Maximum security screening	Correctional Facilities, Loss prevention, law enforcement	A	All metal, ferrous, non-ferrous	None (Low throughput)
Alternative when A, C, D cannot be used due to extreme environmental conditions	All applications	9	FAA 3 gun, ferrous, non-ferrous	Mild Low Throughput

NOTE: These are only recommended programs. It is the End User's responsibility to test and verify that the selected program meets their security plan objective.

11.3 MULTIPLE UNIT OPERATION

There are several options for installation of multiple units in close proximity. The following list of examples will be helpful in determining an appropriate method of connection.

For proper operation, each walk-through metal detector must be set to receive no interference from adjoining units. This can be determined by observing the bar graph indication of one unit while switching the remaining unit(s) from OFF to OPERATE. If the noise flicker increases on the BAR GRAPH of a unit, then it may be necessary to select another set-up.



11.3.1 CASE I

Description:

- Two (2) or more units which interfere with each other;
- Both units plugged into same power line (same circuit breaker).

Procedure:

- Set all units to MASTER ;
- Set end unit to CHANNEL 1 ;
- Set next unit to CHANNEL 2;
- Repeat pattern of CHANNELS 1,2 and 3 for any additional units.

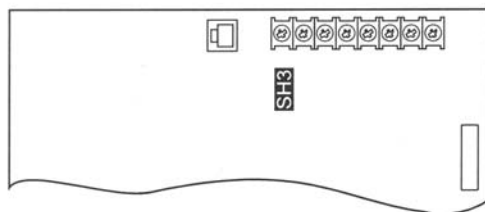
11.3.2 CASE II:

Description:

- Two (2) or more units that interfere with each other;
- Units not plugged into the same power line or units with battery back-up option which may be required to operate in the absence of AC power.

Procedure:

- Disconnect units from power line
- Open Access Door of Detection Unit
- Remove three (3) screws that hold controller cover;
- Use synchronization wire (18 to 24-gauge, 2 conductor) between units; connect as shown:
- Set the end unit to MASTER CHANNEL 1 and make sure this unit is connected to either AC power or battery power at all times;
- With the exception of the first and last units, the SH-3 jumper must be removed. This jumper is located on the Controller Board Assembly (See illustration for exact location);
- Replace covers and reconnect power;
- Set all other units to SLAVE;
- Set the remaining units to CHANNEL 2 and 3;
- Repeat pattern of CHANNELS 1, 2 and 3 for any additional units.



11.3.3 CASE III:

Description:

- MT 5500 unit(s) which interfere with CS 5000 unit(s).
- Channels A, B, C and D allow the MT 5500 to operate with the CS 5000.

Procedure:

- Use CHANNELS A, B, C and D;
- Refer to CS 5000 manual for proper channel selection and connection.

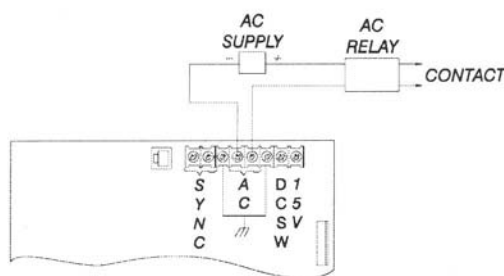
11.4 AC & DC CONTROL

11.4.1 AC CONTROL

Connection of an external alarm, locking device or other component may be made as shown below. The optically-isolated triac output will conduct only during the time that the Red ALARM light is illuminated. It is recommended that the control not exceed 48Vrms and 100mA. The output is electrically isolated from ground.

Procedure:

- Disconnect from AC power;
- Open the Access Door of the detection unit;
- Remove the three (3) screws that hold the controller cover;
- Connect the relay or device to control;
- Replace cover and reconnect power.

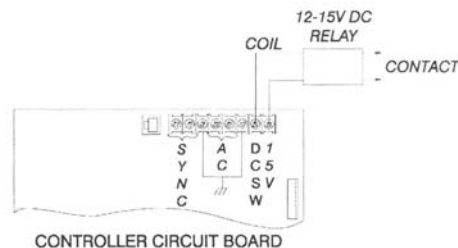


11.4.2 DC CONTROL

The three drawings that follow illustrate alternate methods of connecting an external device which has requirements of low voltage direct current. The output is an open collector configuration capable of switching 15V at 100mA or less, which includes connections to computing devices and other equipment requiring low level DC.

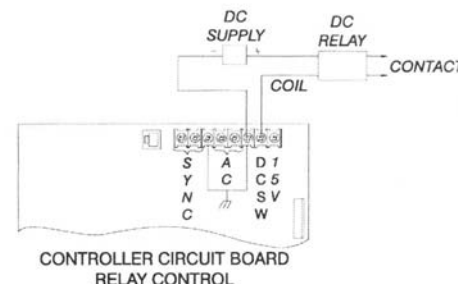
11.4.2.1 Case I: Use internal power

- Disconnect from AC power;
- Open Access Door of detection unit;
- Remove three (3) screws that hold controller cover;
- Connect the relay or device to control, as shown at right;
- Replace cover and reconnect power.



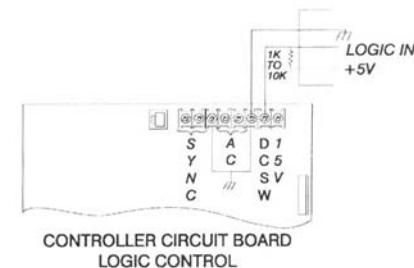
11.4.2.2 Case II: Use external power

- Disconnect from AC power;
- Open Access Door of detection unit;
- Remove three (3) screws that hold controller cover;
- Connect the relay or device to control, as shown at right;
- Replace cover and reconnect power.



11.4.2.3 Case III: External logic control

- Disconnect from AC power;
- Open Access Door of detection unit;
- Remove three (3) screws that hold controller cover;
- Connect the relay or device to control, as shown at right.
- Replace cover and reconnect power.



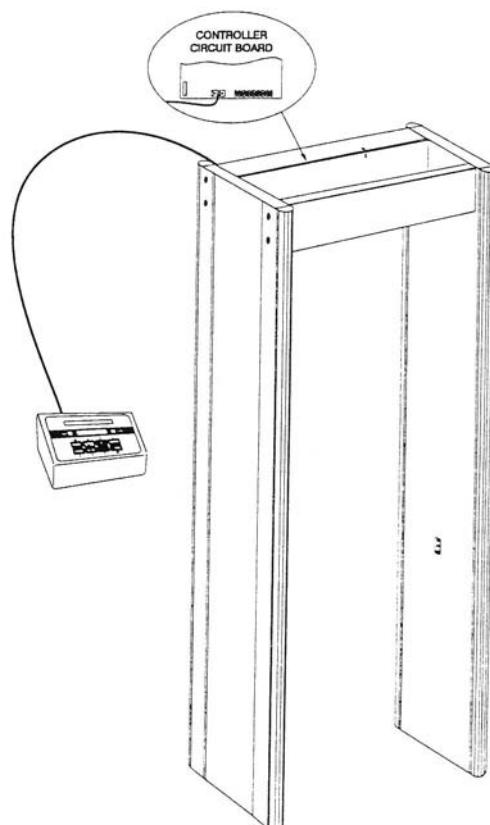
11.5 REMOTE CONTROL (OPTIONAL)

A complete remote console with all control functions that are available on the overhead panel is available for monitoring and controlling functions of the Magnascanner MT 5500 from a location apart from the archway.

This remote console is connected to the overhead unit with telephone-type cable and RJ 45 connectors which can be easily concealed behind overhead panels or in 1/2-inch conduit. The remote control receives its power from the main detector unit.

Pressing a touchpad on the remote console achieves the same result as pressing the same touchpad on the overhead panel, except for the **VOLUME** and **TONE** adjustment.

Regulating alarm volume and tone must be done separately at the remote console and at each unit it controls. This enables the audio to be set separately at the required levels for the console and archway. A 50-foot cable is standard, but custom lengths are available.



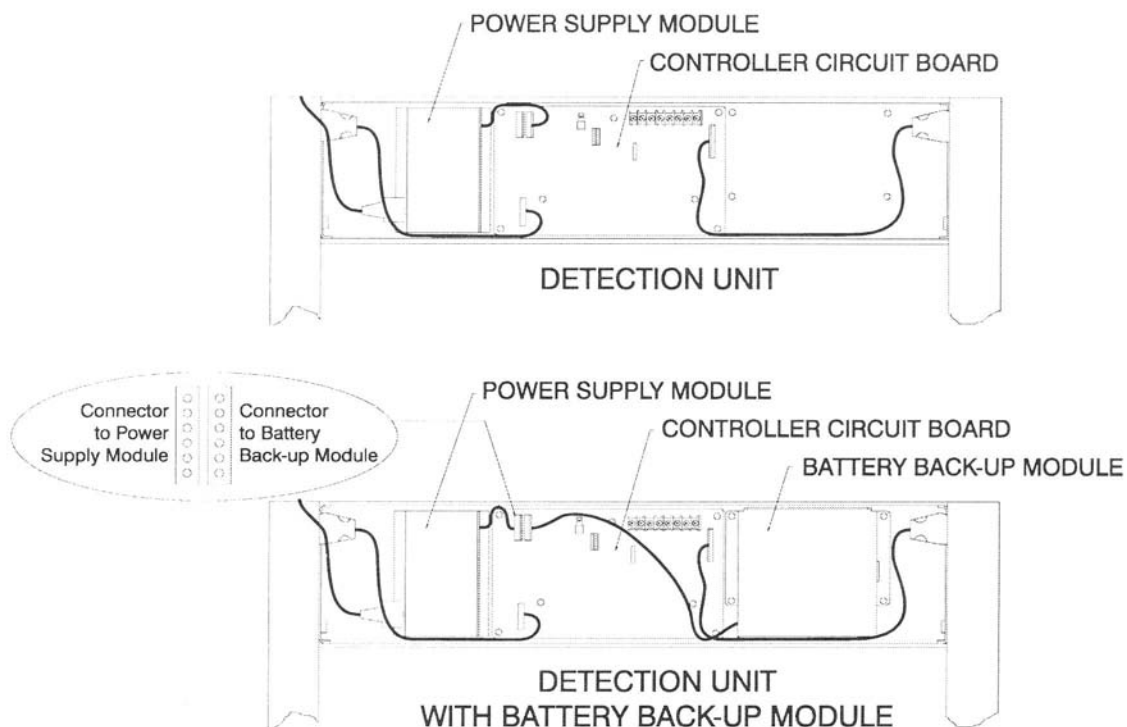
11.5.1 INSTALLATION

- With power disconnected locate archway and console in their desired locations;
- Locate connecting wire and protect from tampering or vandalism, as necessary;
- Plug the wire into the rear of the console;
- Open the Access Door of the detection unit;
- Remove three (3) screws that hold the controller cover;
- Plug the wire into the Circuit Board connector as shown on Page 27;
- Replace covers and connect to power.

11.6 BATTERY BACK-UP MODULE (OPTIONAL)

This optional module is a field-installable assembly that provides power to operate the MT 5500 for up to twenty (20) hours on a fully charged battery. System software includes an alarm feature that alerts the operator to a low-battery condition. This ensures that the unit continues to operate at its peak performance level.

This module includes two 12v batteries and charging circuitry that comprise the Optional Battery Pack. This module has a battery-monitoring circuit which will charge the battery within 12 hours and will switch to trickle-charge to maintain a fully charged condition without damaging the batteries.



11.6.1 INSTALLATION

1. Open the access door of the detection unit;
2. Disconnect the AC power plug from the Power Supply Module;
3. Remove the three (3) screws that hold the Controller Module Cover;
4. Remove the four (4) acorn nuts that are attached to the Battery Pack Module mounting studs;
5. Install the Battery Pack Module and replace the acorn nuts;
6. Disconnect the Power Supply Module connector on the upper left of the Controller Circuit Board;

7. Reconnect the Power Supply Module and Battery Pack Module as shown;
8. Reassemble the system and test.

11.7 STABILIZER BASE INSTALLATION

TOOLS REQUIRED

- 1/4" Electric Drill Motor
- 1/4" (6mm) Nut Driver or Hex Socket
- Tape Measure
- Liquid Soap
- #2 Phillips Screwdriver

PARTS LIST

- 2-Mounting Plate
- 4-Screw #8x2" Self-Tapping 1/4"
- 1-Drill Bit 3/32"
- 1-Instruction Sheet

Procedure (NOTE: Install mounting plates before assembling the archway)

- 11.7.1 Examine the location and determine the best routing for the power cord.
- 11.7.2 For each panel, remove and discard the two (2) rubber bumpers located on the bottom of the panels. these holes will be used for attaching mounting plates to panels. These holes will be used for attaching mounting plates to panel.s. Discard rubber bumpers and screws.
- 11.7.3 Using the supplied 3/32" (2.3mm) drill bit, extend the depth of the mounting holes to 2" (50mm) deep.
- 11.7.4 Attach the plates (with the edges pointing away from the panel) using the supplied 2" long screws.

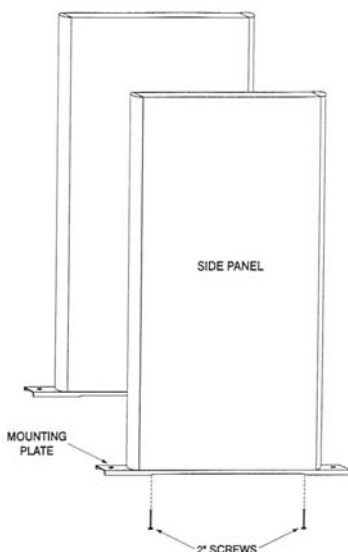
NOTE:

A small amount of liquid soap will make the installation easier.

CAUTION:

The power cord must be installed in the correct Panel location (see section 3.2) before the plate can be secured. DO NOT PINCH the cord between the panel and the plate. Ensure that the head of the screw is tight against the plate to prevent the panels from sliding.

- 11.7.5 Assemble the unit.



- 11.7.6** Place unit in upright position at selected operating location.

CAUTION:

Adjust the width of the unit at the bottom of the panels to 30" (762mm) BEFORE making the holes in the next step.

- 11.7.7** Secure the unit to the floor using 1/4" (6mm) mounting screws (not supplied). The mounting holes in the plates may be used as a drill guide.

11.8 ELECTRICAL WIRING REQUIREMENTS

Magnascanner MT 5500 # 1167700

Comes with a standard American ground power cord. If the plug must be replaced or removed to hard wire an AC junction box, use the following wiring list:

Green	To Ground
Black	To Line Hot
White	To Line Neutral

Magnascanner CS 5000 # 1167420 (International)

Comes with a European power cord. If the plug must be replaced or removed to hardwire to an AC junction box, use the following wiring list:

Green/Yellow	To Ground
Brown	To Line Hot
Blue	To Line Neutral

**MT 5500
User Manual**

GARRETT
METAL DETECTORS
